



Owner's Manual

Original Instructions

Zone Control Interface LE60-13/GH

Thank you for choosing this product. Please read this Owner's Manual carefully before operation and retain it for future reference.

If you have lost the Owner's Manual, please contact the local agent or visit www.gree.com or send an email to global@cn.gree.com for the electronic version.

GREE ELECTRIC APPLIANCES, INC. OF ZHUHAI



To Users

Thank you for selecting Gree product. Please read this instruction manual carefully before installing and using the product, so as to master and correctly use the product. In order to guide you to correctly install and use our product and achieve expected operating effect, we hereby instruct as below:

- (1) This appliance is not intended for use by persons (including children) with reduced physical, sensory or mental capabilities, or lack of experience and knowledge, unless they have been given supervision or instruction concerning use of the appliance by a person responsible for their safety. Children should be supervised to ensure that they do not play with the appliance.
- (2) This instruction manual is a universal manual, some functions are only applicable to particular product. All the illustrations and information in the instruction manual are only for reference, and control interface should be subject to actual operation.
- (3) In order to make the product better, we will continuously conduct improvement and innovation. If there is adjustment in the product, please subject to actual product.
- (4) If the product needs to be installed, moved or maintained, please contact our designated dealer or local service center for professional support. Users should not disassemble or maintain the unit by themselves, otherwise it may cause relative damage, and our company will bear no responsibilities.

Contents

1 Safety Notices (Please be sure to abide)	1
2 Product Composition	2
3 Appearance Statement	3
4 Function	6
4.1 Function Overview	6
5 Product Installation	7
5.1 Size.....	7
5.2 Installation Requirement	8
5.3 Installation Step	8
5.4 Troubleshooting	11

1 Safety Notices (Please be sure to abide)



WARNING: If not abide them strictly, it may cause severe damage to the unit or the people.



NOTE: If not abide them strictly, it may cause slight or medium damage to the unit or the people.



This sign indicates that the operation must be prohibited. Improper operation may cause severe damage or death to people.



This sign indicates that the items must be observed. Improper operation may cause damage to people or property.



WARNING!

This product can't be installed at corrosive, inflammable or explosive environment or the place with special requirements, such as kitchen. Otherwise, it will affect the normal operation or shorten the service life of the unit, or even cause fire hazard or serious injury. As for above special places, please adopt special air conditioner with anti-corrosive or anti-explosion function.

2 Product Composition

The product contains the following parts, please check before installation.

Table 2.1 Accessories list

No.	Parts name	Quantity	Purpose
1	Power Adapter	1	Supply power for zone control interface
2	Antenna	1	Send and receive the signal of RF remote controller
3	2-core wire	1	Connect duct type unit and zone control interface
4	4-core Communication wire	1	Connect zone control interface and wired remote controller
5	Zone control interface	1	Control air valve according to temperature condition
6	Screw	2	Fix zone control interface

Table 2.2 Power Supply Parameter

No.	Port name	Voltage	Frequency/Current
1	Input	220-240V ~	50/60Hz
2	Output	14.5V ~	1.5A
		24V ~	1A



NOTE!

The Maximum operation current of per Damper motor is 150mA or less.

3 Appearance statement



Figure 3-1 Appearance of zone control interface

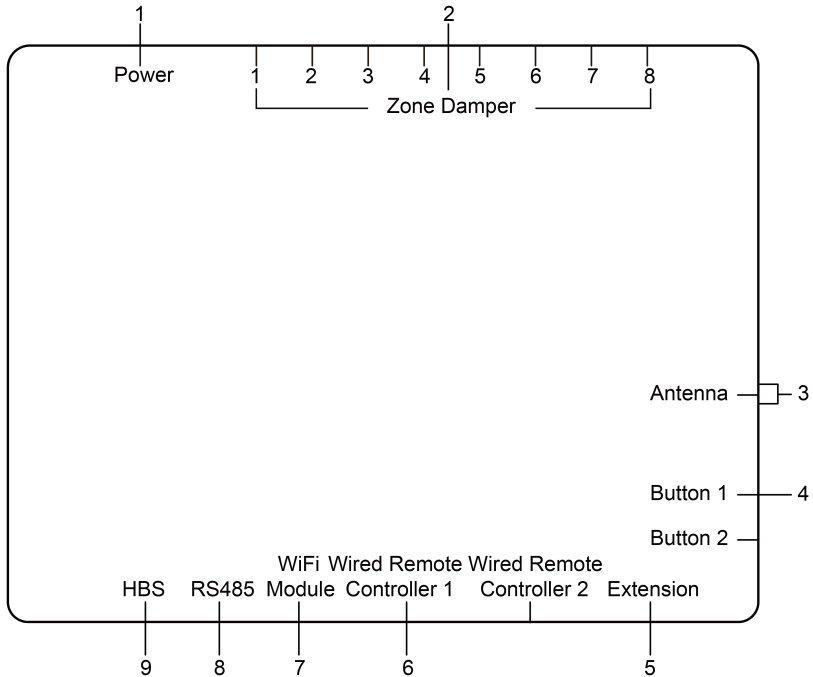


Figure 3-2 Zone control interface introduce

Table 3.1 Interface statement

No.	Port name	Purpose
1	Power	Power input
2	Zone Damper(1-8)	Air valve port in each area (8 at most)

Zone Control Interface LE60-13/GH

No.	Port name	Purpose
3	Antenna	Antenna port
4	Button1~ Button2	Reserved
5	Extension	Extended function port
6	Wired Remote Controller1~2	Wired remote controller communication port
7	WiFi Module	WiFi module communication port
8	RS485	Communication port for U-MATCH duct unit with RS485 communication type
9	HBS	Communication port for the big duct type unit and U-MATCH duct unit with Power line communication type



NOTES!

- (1) U-MATCH duct unit with Power line communication type: the model named "GUD*P*1 /*", it should be noted that "/" must be preceded by"1".
- (2) U-MATCH duct unit with RS485 communication type: except for models with cooling capacity less than 18 kW in (1) above.
- (3) Big duct type unit: cooling capacity is bigger than 18kW.
- (4) Zone control interface can connect only one unit of U-MATCH duct type unit or big duct type unit. Two units can't be connected simultaneously.

- (5) Whether it can be paired with a regional controller depends on the specific model. If you have any questions about model matching, you can consult technical support for assistance.

4 Function

4.1 Function Overview

Zone control interface is a component of area control system. Its function is to conduct information interaction with duct type unit, collect RF remote controller information on wired remote controller and in each area, and control air valve operation in each area to achieve independent temperature control purpose locally. Besides, the operation terminal is able to control zone control interface through cloud service on mobile App.

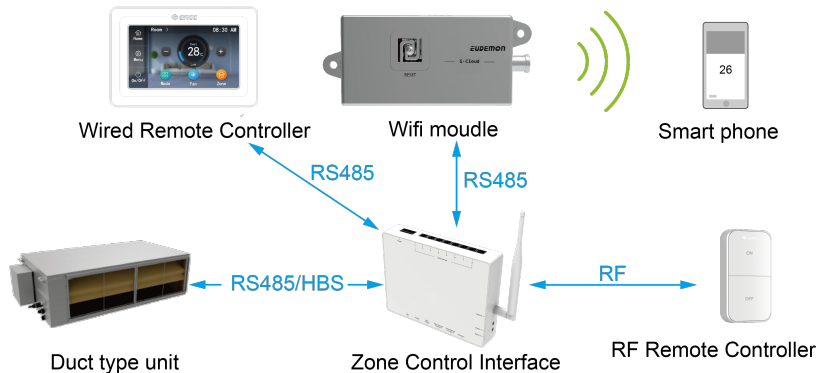


Figure 4-1 System connection graphics

5 Product Installation

5.1 Size

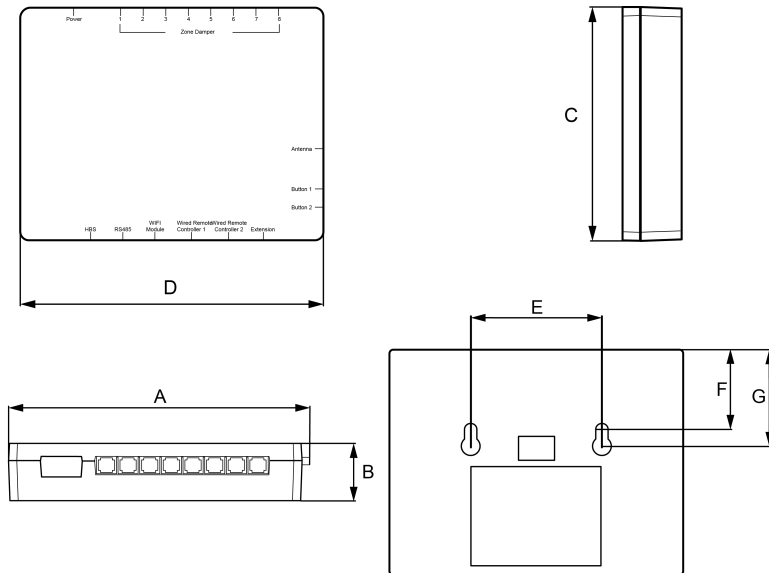


Figure 5-1 Zone control interface size (unit: mm)

Table 5.1 Size value

Name	A	B	C	D	E	F	G
Length	201	39	151	196	87	54	65

5.2 Installation Requirement

- (1) Don't install the product in a wet place or a place easy to splash.
- (2) Don't install the product in a place near high-temperature objects or a place with direct sunshine.
- (3) Indoor installation is suggested. Suggested working temperature range for installation is 0~50°C.
- (4) Before installation, please cut off the power of adapter, the whole operation process shall not be energized.
- (5) To avoid any abnormal conditions caused by electromagnetic interference, please pay attention to the following notices when conducting wiring.
- (6) Please make sure the connection port of communication wire is correct, otherwise, communication error will occur.
- (7) To achieve the best transmission performance of wireless signal, don't install the zone control interface to the place with a large number of metal or electric appliances of large power.
- (8) If the duct type unit is matched with zone control interface, it can control the unit through the wired remote controller of the system and doesn't need to match with other control terminals in the duct type unit.

5.3 Installation Step

- (1) Confirm the type of duct type unit used, if it is U-MATCH duct unit with RS485 communication type, lead H1 and H2 of wiring board of indoor unit to the

Zone Control Interface LE60-13/GH

RS485 port of zone control interface; if it is a big duct type unit or U-MATCH duct unit with Power line communication type, lead H1 and H2 of wiring board of indoor unit to the HBS port of zone control interface.

- (2) The 4-core communication connection wire which used to connect wired remote controller and zone control interface, it should connect wired remote controller with the Wired Controller 1 or Wired Controller 2 port of zone control interface.

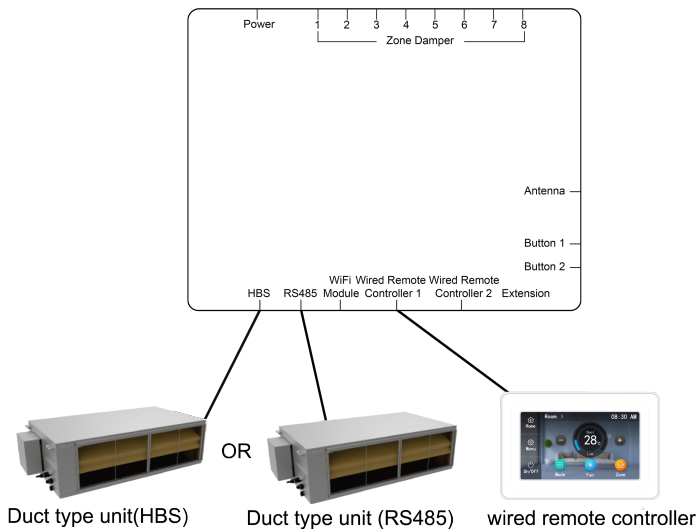


Figure 5-2 Communication wire connection

- (3) Twist the standard antenna to the Antenna port of zone control interface and make sure it is firm. The ambient of zone control interface shall be spacious and with good transmission signal, the antenna direction can be adjusted by rotation.
- (4) There are two installation methods for zone control interface, one is horizontal installation, place it on the stable table or platform.

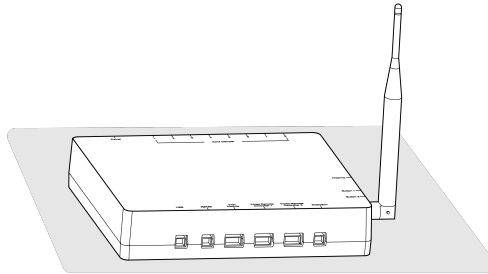


Figure 5-3 Horizontal installation diagram

The other one is vertical installation, fix it on the wall with screw, then hang the zone control interface on the screw, as the following fig shown.

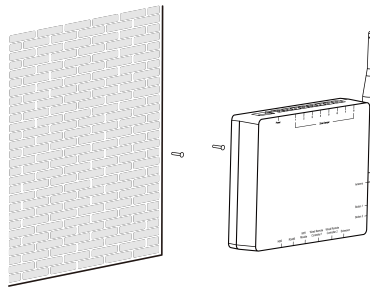


Figure 5-4 Vertical installation diagram

- (5) Confirm the number of air valve used based on actual usage condition, then connect the RJ11 port of each air valve to the RJ11 socket of zone control interface Zone Damper (1-8).
- (6) Insert power adapter terminal to the Power port of zone control interface and please make sure it is properly connected and inserted.
- (7) Conduct distribution network operation for zone control interface and RF remote controller according to the area local terminal statement.

5.4 Troubleshooting

Error name/ phenomenon	Solutions
Communication error between zone control interface and RF remote controller	<ol style="list-style-type: none">1. Check the antenna on the zone control interface and the installation environment of RF remote controller, to avoid interference of high frequency.2. Check the battery capacity of RF remote controller and ensure it is sufficient.

Error name/ phenomenon	Solutions
Zone temperature control abnormal	<ol style="list-style-type: none"> 1. Check if the damper motor is blocked by any obstacle, to ensure there is no mechanical error in the damper; 2. Check the installation position of RF remote controller and see if it is affected by any other heat source in the surrounding.
DIP switch conflict of RF remote controller	<ol style="list-style-type: none"> 1. Check the DIP switch of each RF remote controller and ensure the DIP switch of each RF remote controller is different.
Communication error between indoor unit and zone control interface	<ol style="list-style-type: none"> 1. Ensure that the zone control interface is match with unit type; you can see the 5.3 - (1). 2. If the connected unit is U-MATCH duct unit with RS485 communication type, please check if the communication line between the indoor unit and zone control interface is connected normally. 3. If the connected unit is big duct type unit or U-MATCH duct unit with Power line communication type , please check if the communication line between the indoor unit and zone control interface is connected normally, especially, check if the communication line between the indoor unit and outdoor unit is connected normally.

**NOTE!**

The air valve is controlled through electrical signal. If it can't operate due to its own error, the zone control system can't give warning.



GREE ELECTRIC APPLIANCES, INC. OF ZHUHAI

Add: West Jinji Rd, Qianshan, Zhuhai, Guangdong, China, 519070

Tel: (+86-756) 8522218

Fax: (+86-756) 8669426

E-mail: global@cn.gree.com www.gree.com



600005062325